

WIRING DIAGRAMS

1992 Subaru SVX

1992 WIRING DIAGRAMS
Subaru

SVX

IDENTIFICATION

COMPONENT LOCATION MENU

COMPONENT LOCATIONS TABLE

Component	Figure No. (Location)
A/C CONTROL UNIT	7 (A, C 24)
A/C OFF RELAY	7 (A 27)
A/C RELAY HOLDER #1	7 (C, D 24)
A/C RELAY HOLDER #2	7 (D, E 27)
A/T CONTROL UNIT	5 (A, C 16, 19)
ABS HYDRAULIC UNIT	6 (C-D 23)
ADAPTER (WITH OUT SECURITY)	1 (B 3)
AIR BAG CONTROL UNIT	5 (B, C 19)
ALTERNATOR	1 (D 3)
ANTI-LOCK BRAKE CONTROL UNIT	6 (C, E 20)
BATTERY	1 (A 2)
BRAKE FLUID LEVEL SWITCH	9 (C 34)
CHECK CONNECTOR	3 (A 9, 10)
CIGARETTE LIGHTER	4 (A 14, 15)
CLOCK	4 (A 15)
COOLANT TEMPERATURE SENSOR	8 (A 30)
COURTESY LIGHTS	8 (C 31)
CRUISE CONTROL DIODE	6 (A, B 20)
CRUISE CONTROL MAIN SWITCH	6 (B 21)
CRUISE CONTROL MAIN SWITCH	6 (B, C 23)
CRUISE CONTROL UNIT	6 (A 21, 22)
DEFOGGER GRID	4 (A 15)
DIAGNOSTIC CONNECTOR	3 (A 8)
DIMMER PASSING SWITCH	8 (E 28)
DIRECTIONAL SWITCH	8 (C 28)
DOOR KEYHOLE LIGHT/DOOR HANDLE SWITCH	8 (C 31)
DOOR LOCK TIMER	10 (C, D 36)
FOG LIGHT DIODE	1 (E 3)
FOG LIGHT RELAY	1 (E 3)
FOG LIGHT SWITCH	8 (C, D 28)
FRONT WIPER/WASHER SWITCH	8 (A, B 28, 30)
FUEL GAUGE UNIT	9 (E 35)
FUEL PUMP	2 (C 7)
FUEL PUMP RELAY	2 (B 7)
FUSE/RELAY BOX (F/B)	4 (C, E 12, 15)
GLOVE BOX LIGHT SWITCH	8 (E 29)
HAZARD SWITCH	8 (B, C 28)
HEADLIGHT RELAY (B)	1 (E 3)
HORN SYSTEM	1 (C, D 1)
INSTRUMENT PANEL LIGHTS	8 (E 29, 31)
IGNITER	3 (B, C 11)
IGNITION SWITCH	4 (A 12)
INHIBITOR SWITCH	5 (C, D 19)
INSTRUMENT CLUSTER	9 (A, E 32, 33)
KEY WARNING SWITCH	10 (B 37)
LEFT/RIGHT HEADLIGHT RELAY	1 (C 3)

LIGHT SWITCH	8 (D 28)
MAIN FUSE BLOCK (MAIN F/B)	1 (B, C 3)
MAIN RELAY	3 (B 8, 9)
MULTI PORT FUEL INJECTOR CONTROL UNIT	2 (A, E 4)
OIL PRESSURE SWITCH	9 (C 34)
OUTSIDE MIRROR DEFOGGER SWITCH	11 (B 40)
PARK BRAKE SWITCH	9 (C, D 34)
PARKING LIGHT SWITCH	8 (E 28)
POWER ANTENNA MOTOR	11 (E 40)
POWER MIRROR SWITCH	11 (A 40, 42)
POWER SEAT SWITCH	10 (C 39)
POWER STEERING CONTROL UNIT	5 (D, E 16)
POWER WINDOW CB	10 (D 36)
POWER WINDOW MAIN SWITCH	10 (D, E 36)
POWER WINDOW RELAY	10 (D 36)
REAR DEFOGGER SWITCH	11 (C, D 40)
REAR WASHER MOTOR	11 (C 41)
REAR WIPER/WASHER SWITCH	11 (B, C 40)
SEAT BELT CONTROL UNIT	10 (A 37, 38)
SECURITY CONTROL UNIT	9 (A 35)
SELECT MONITOR	2 (A 6)
SHIFT LOCK CONTROL UNIT	5 (E 19)
STARTER	1 (A 3)
STARTER INTERRUPT RELAY (WITH SECURITY)	1 (A 3)
STEP LIGHTS	8 (D 30)
STOP LIGHT CHECKER	11 (C, D 41)
STOP LIGHT SWITCH	6 (B 20)
SUB FUSE LINK	1 (D 3)
SUN ROOF SWITCH	11 (D 40)
TIME CONTROL UNIT	8 (A, B 31)
TRINARY SWITCH	7 (C, D 27)
TRUNK LIGHT SWITCH	11 (E 41)
VANITY MIRROR LIGHT SWITCH	8 (C 29)
VEHICLE SPEED SENSOR	3 (A 11)

WIRING DIAGRAMS

COMPONENT LOCATOR:

A/C CTRL UNIT	A-C 24
A/C OFF RELAY	A 27
A/C RELAY HOLDER #1	C-D 24
A/C RELAY HOLDER #2	D-E 27
A/T CTRL UNIT	A-C 16-19
ABS HYDRAULIC UNIT	C-O 23
ADAPTER (W/O SECURITY)	B 3
AIRBAG CTRL UNIT	B-C 19
ALTERNATOR	D 3
ANTI-LOCK BRAKE CTRL UNIT	C-E 20
BATTERY	A 2
BRAKE FLUID LEVEL SW	C 34
CHECK CONN	A 9-10
CIG LTR	A 14-15
CLOCK	A 15
COOLANT TEMP SENS	A 30
COURTESY LTS	C 31
CRUISE CTRL DIODE	A-B 20
CRUISE CTRL MAIN SW	B-C 23
CRUISE CTRL UNIT	A 21-22
DEFOG GRID	A 15
DIAGNOSTIC CONN	A 8
DIMMER/PASSING SW	F 28
DIR SW	C 28
DOOR KEYHOLE LT/DOOR HANDLE SW	C 31
DOOR LOCK TIMER	C-D 3
FOG LT DIODE	E 3
FOG LT RELAY	E 3
FOG LT SW	C-D 28
FRONT WIPER/WASHER SW	A-B 28-30
FUEL GAUGE UNIT	E 35
FUEL PUMP	E 35
FUEL PUMP RELAY	B 7
FUSE/RELAY BOX (F/B)	C-E 12-15
GLOVE BOX LT/SW	B-C 29
HAZARD SW	B-C 29
HEADLIGHT RELAY (B)	E 3
HORN SYSTEM	C-D 1
IP SW LTS	E 29-31
IGNITER	B-C 11
IGNITION SW	A 12
INHIBITOR SW	C-D 19
INSTRUMENT CLUSTER	A-E 32-33
KEY WARNING SW	B 37
LEFT/RIGHT HEADLIGHT RELAYS	D 3
LIGHT SW	D 28
MAIN FUSE BLOCK (MAIN F/B)	B-C 3
MAIN RELAY	B 8-9
MPFI CTRL UNIT	A-E 4
OIL PRES SW	C 34
OUTSIDE MIRROR DEFOG SW	B 40
PARK BRAKE SW	C-D 34
PARKING LT SW	C 28
POWER ANTENNA MOTOR	E 40
POWER MIRROR SW	A 40-42
POWER SEAT SW	C 39
POWER STEERING CTRL UNIT	D-E 16
POWER WINDOW CB	D 36
POWER WINDOW MAIN SW	D-E 36
POWER WINDOW RELAY	C-D 40
REAR DEFOG SW	C-O 40
REAR WIPER/WASHER SW	C 41
REAR WIPER/WASHER MOTOR	B-C 40
SEAT BELT CTRL UNIT	A 37-38
SECURITY CTRL UNIT	A 33
SELECT MONITOR	A 6
SHIFT LOCK CTRL UNIT	E 19
STARTER	A 3
STARTER INTERRUPT RELAY (W/ SECURITY)	A 3
STEP LTS	D 30
STOP LT CHECKER	C-D 41
STOP LT SW	B 20
SUB FUS LINK	D 3
SUNROOF SW	D 40
TIME CTRL UNIT	A-B 31
TRINARY SW	C-D 27
TRUNK LT/SW	E 41
VANITY MIRROR LT/SW	C 29
VEHICLE SPEED SENSOR	A 11

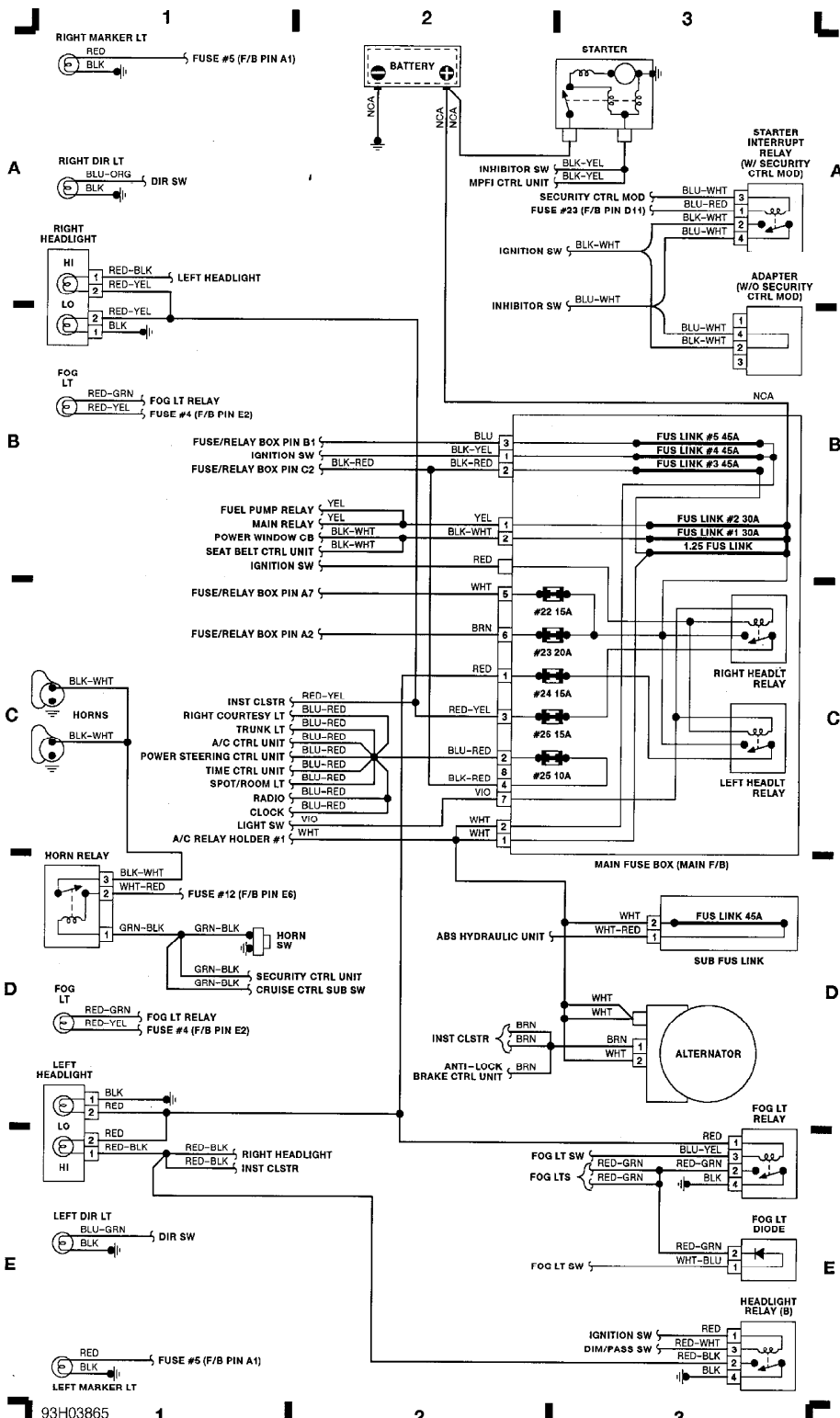
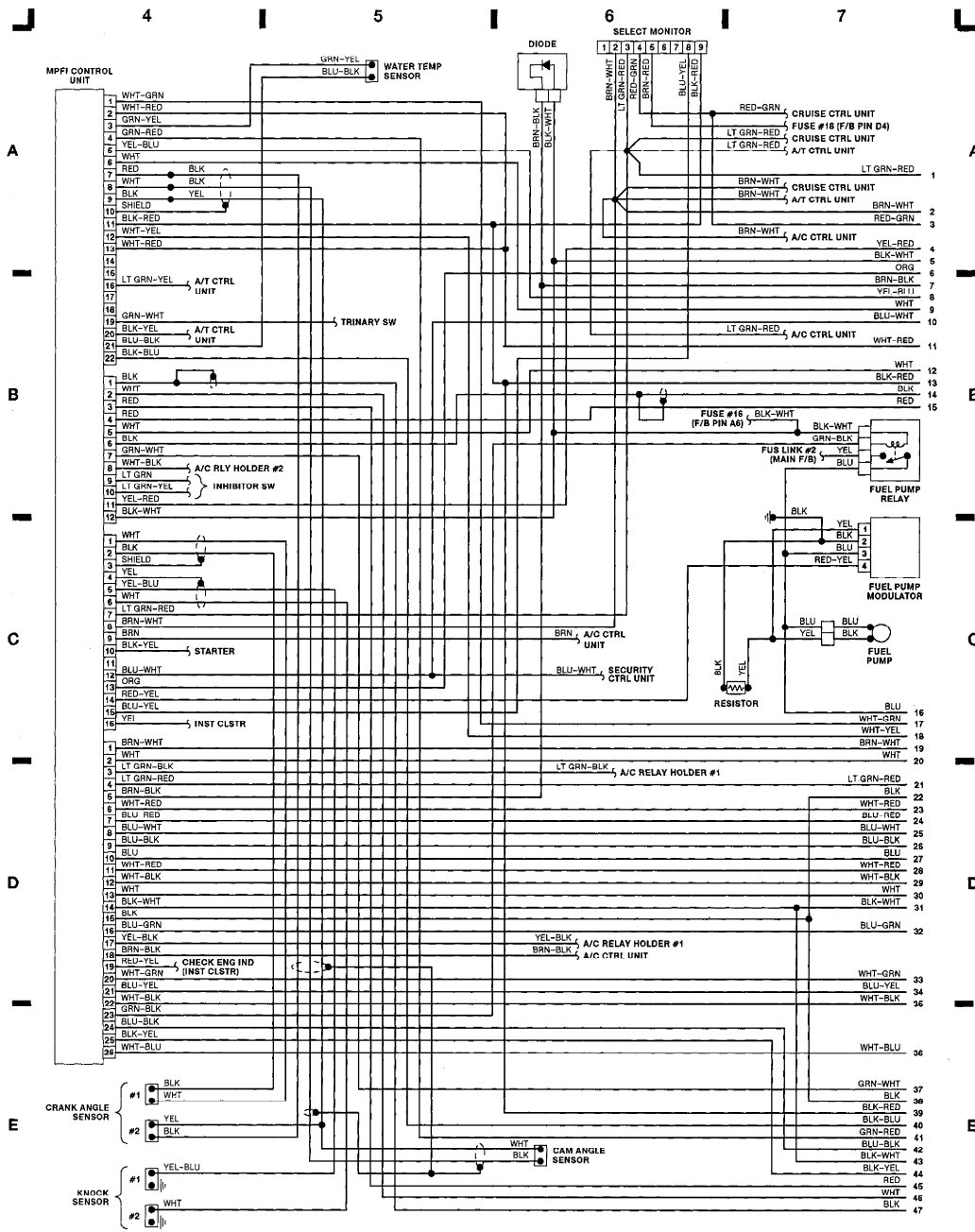
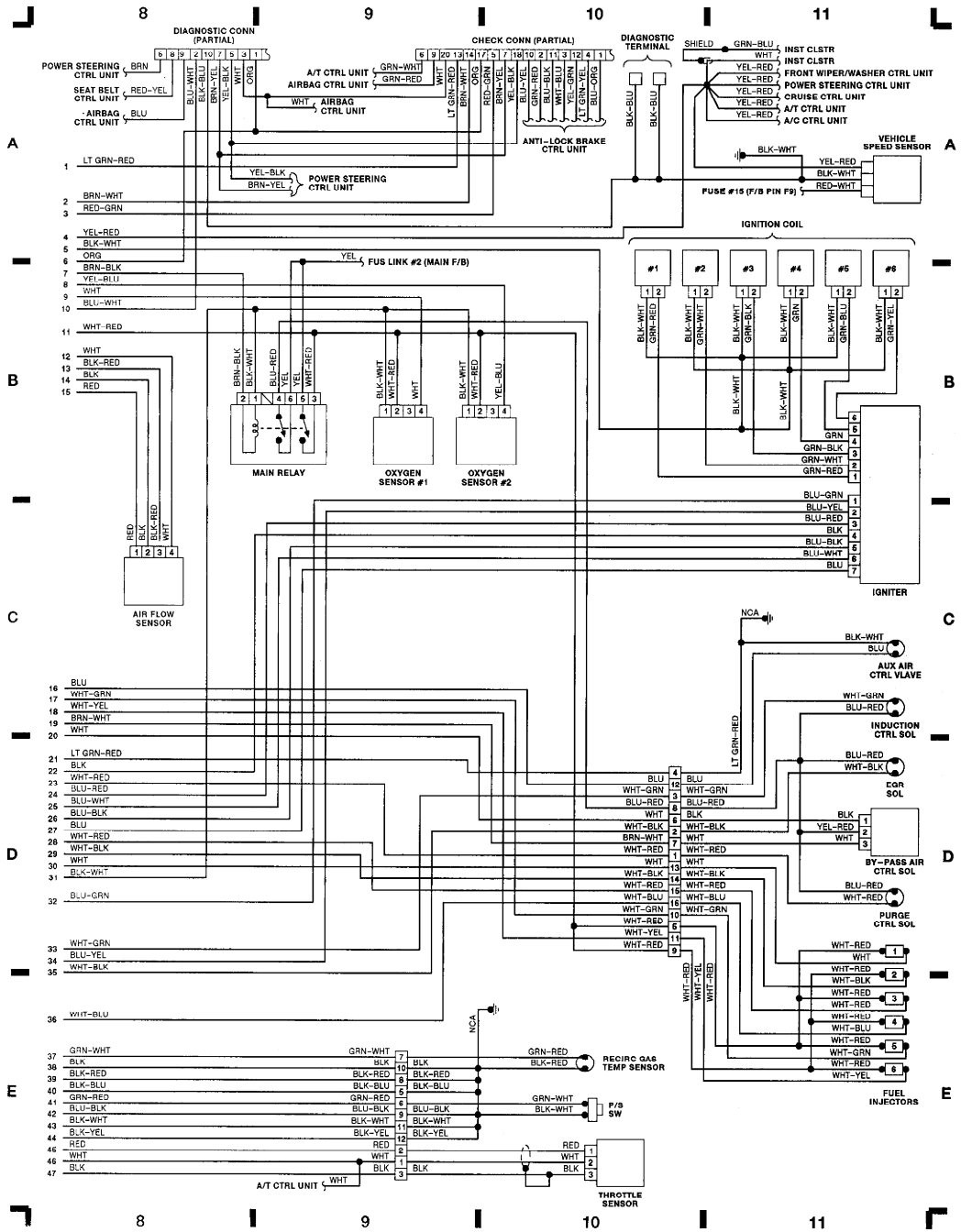


Fig. 1: Engine Compartment, Headlights (Grid 1-3)



93J03866
 Fig. 2: MPFI Control Unit, Fuel Pump Relay (Grid 4-7)



98B03867

Fig. 3: Ignition Coil, Main Relay, Fuel Injectors (Grid 8-11)

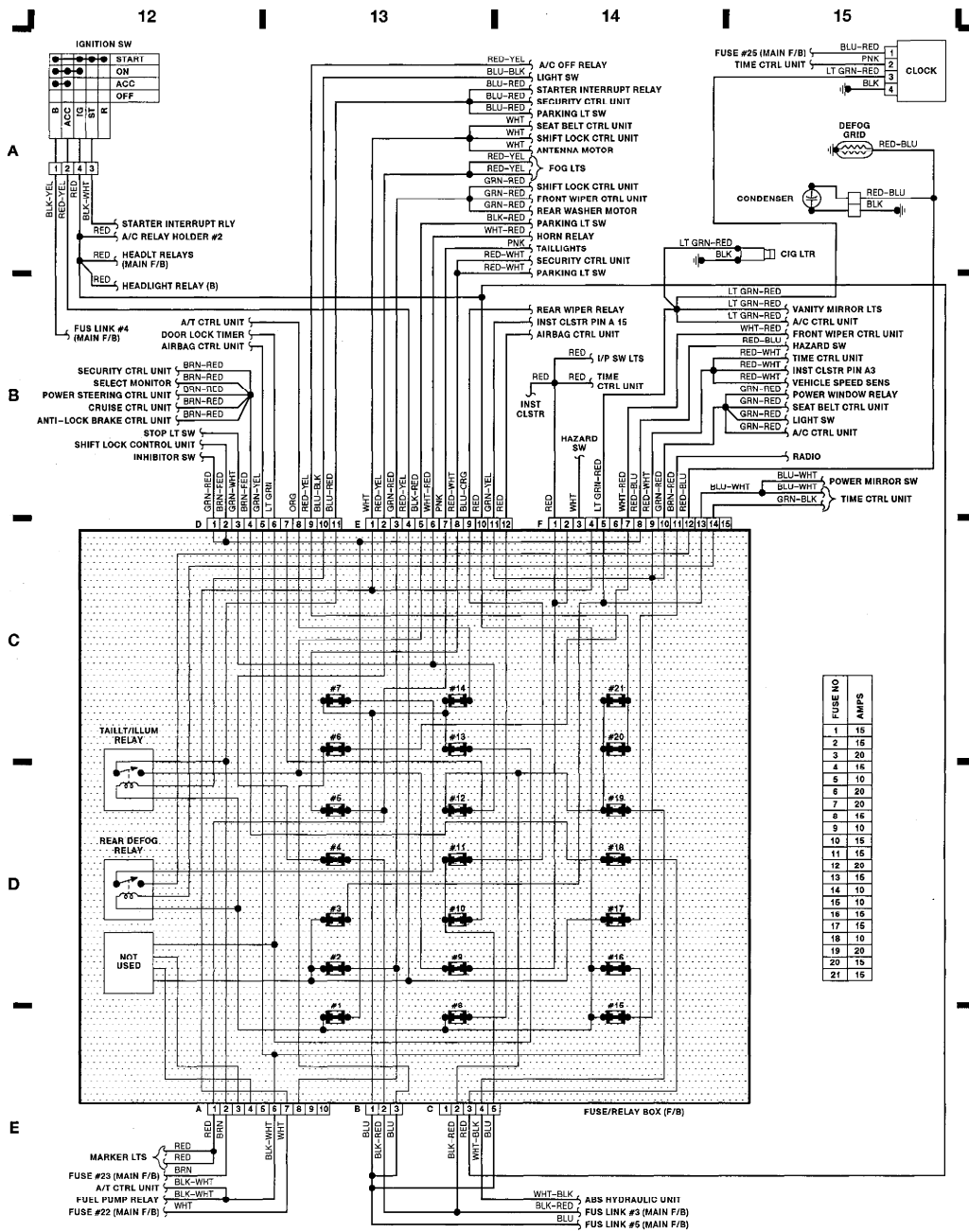


Fig. 4: Fuse Relay Box, Ignition Switch (Grid 12-15)

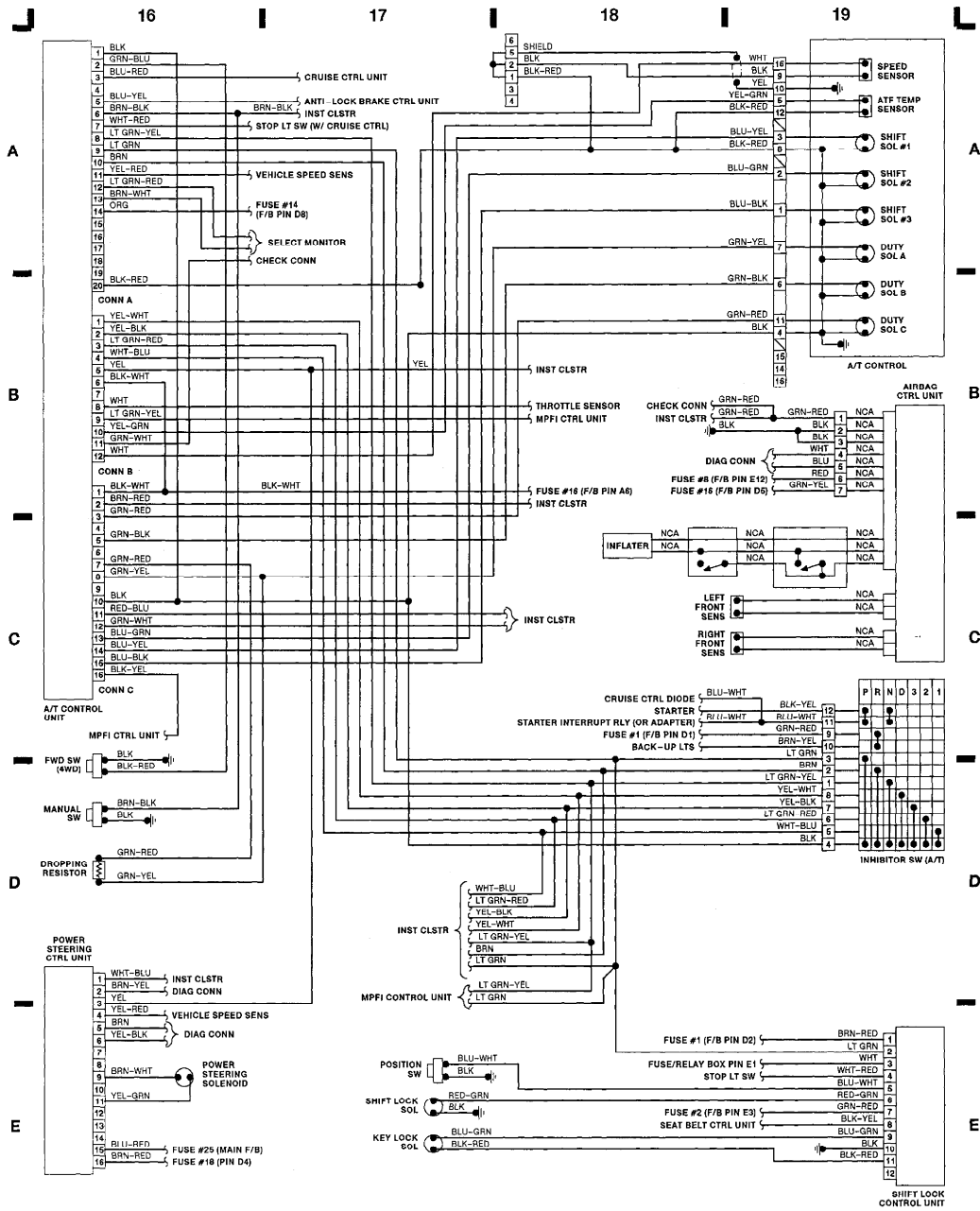


Fig. 5: Air Bag Control Unit, A/T Control Unit (Grid 16-19)

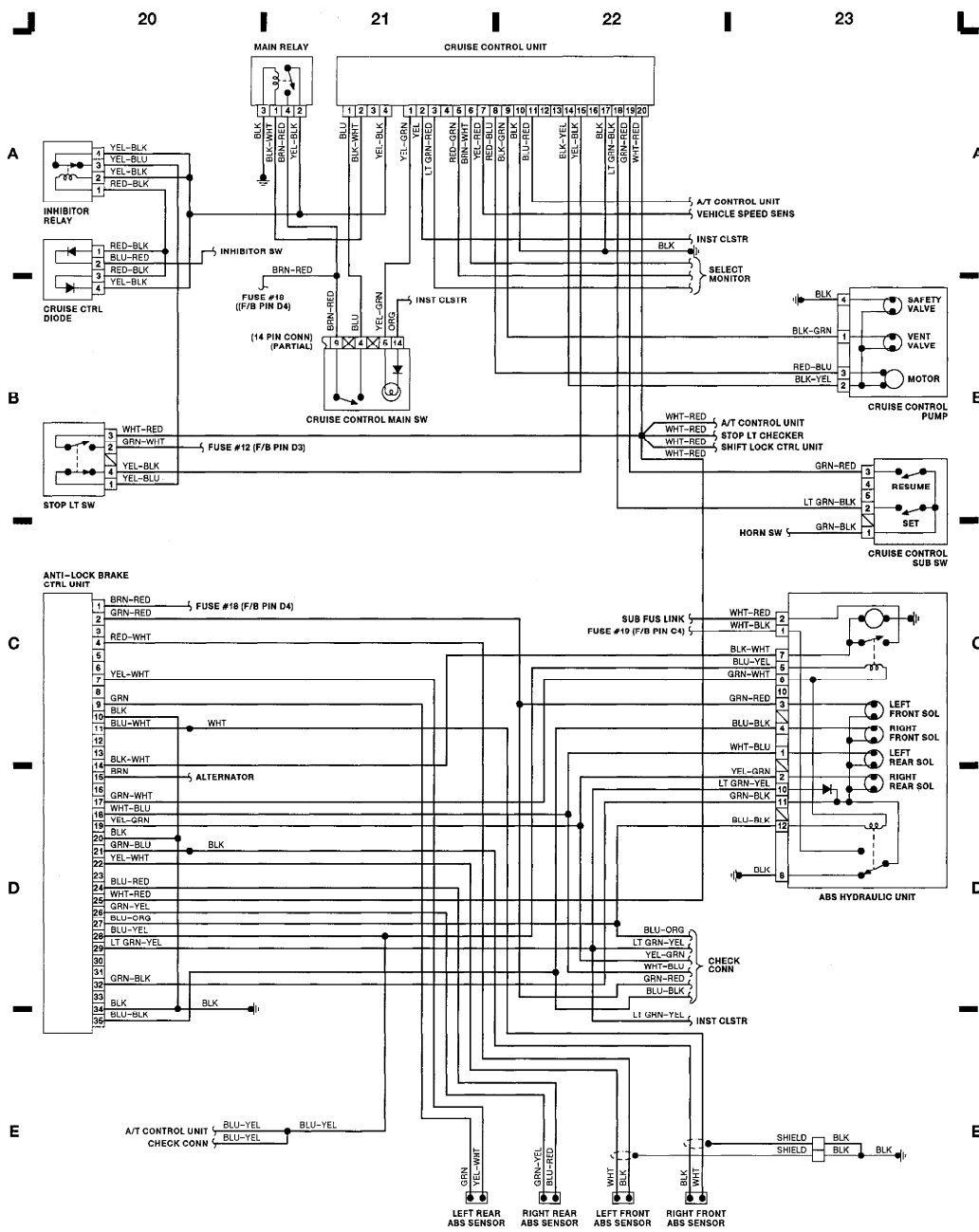


Fig. 6: Anti-Lock Brake Control Unit, Cruise Control (Grid 20-23)

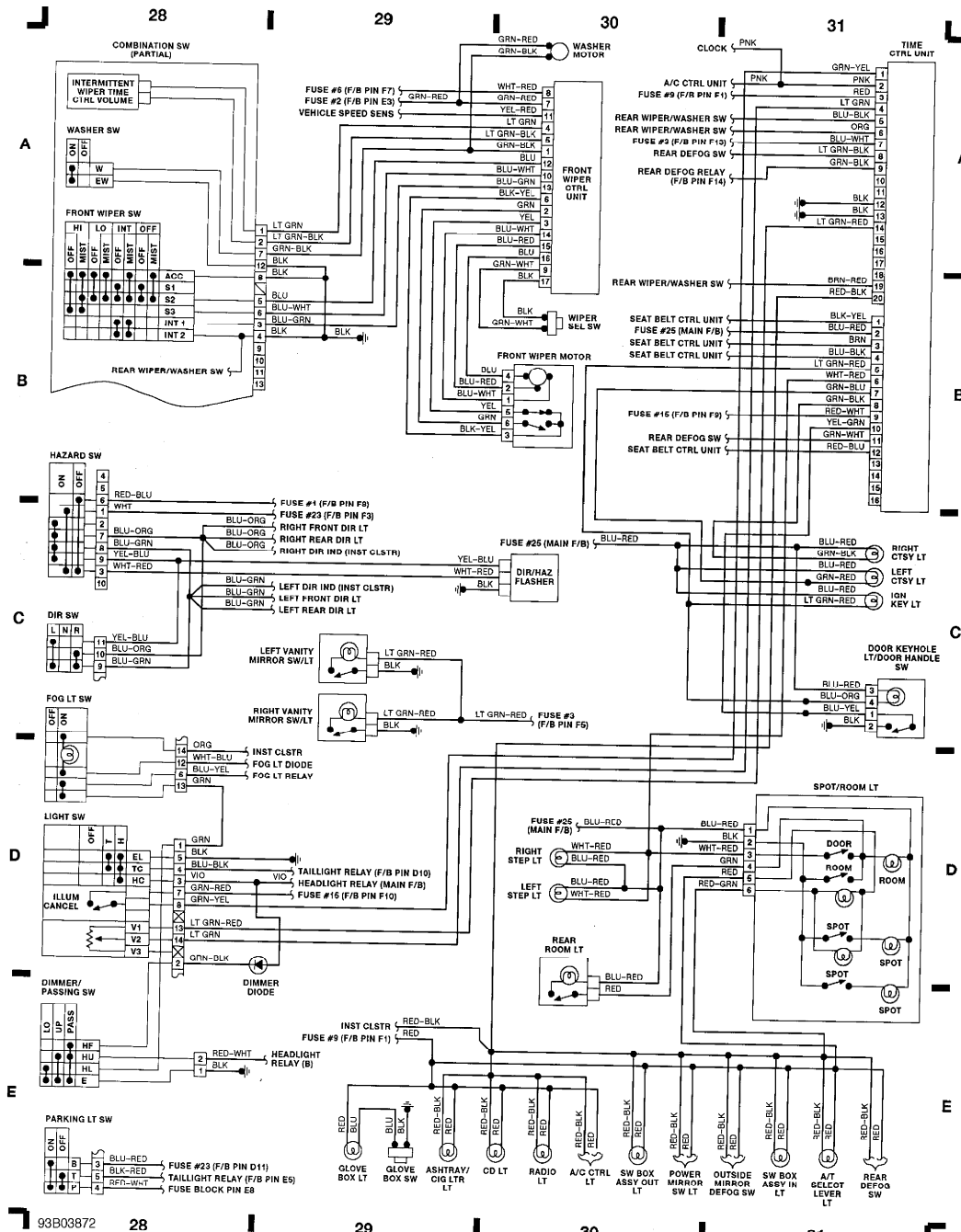


Fig. 8: Combination Sw, Hazard/Light/Fog Light Sw (Grid 28-31)

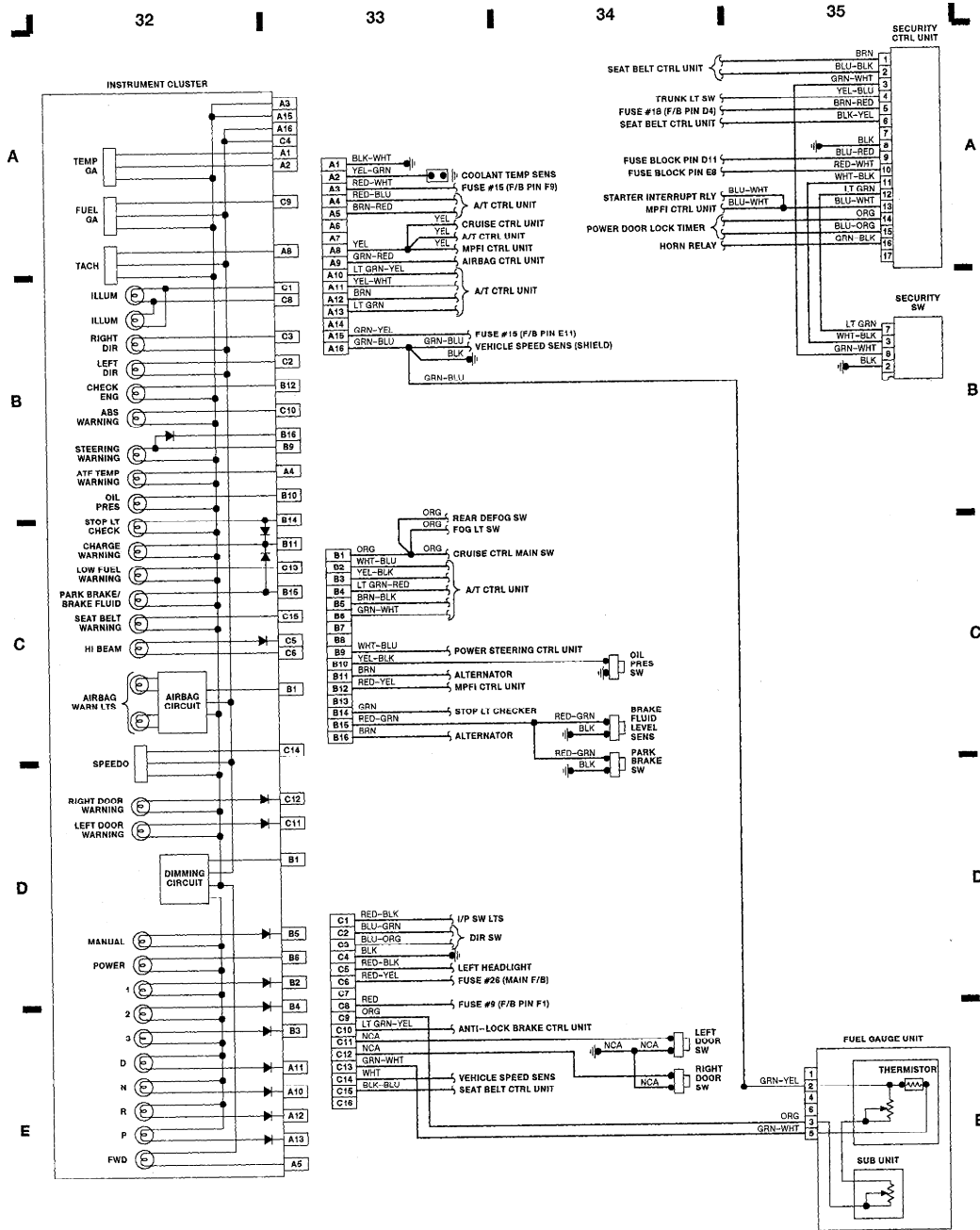


Fig. 9: Instrument Cluster, Fuel Gauge Unit (Grid 32-35)

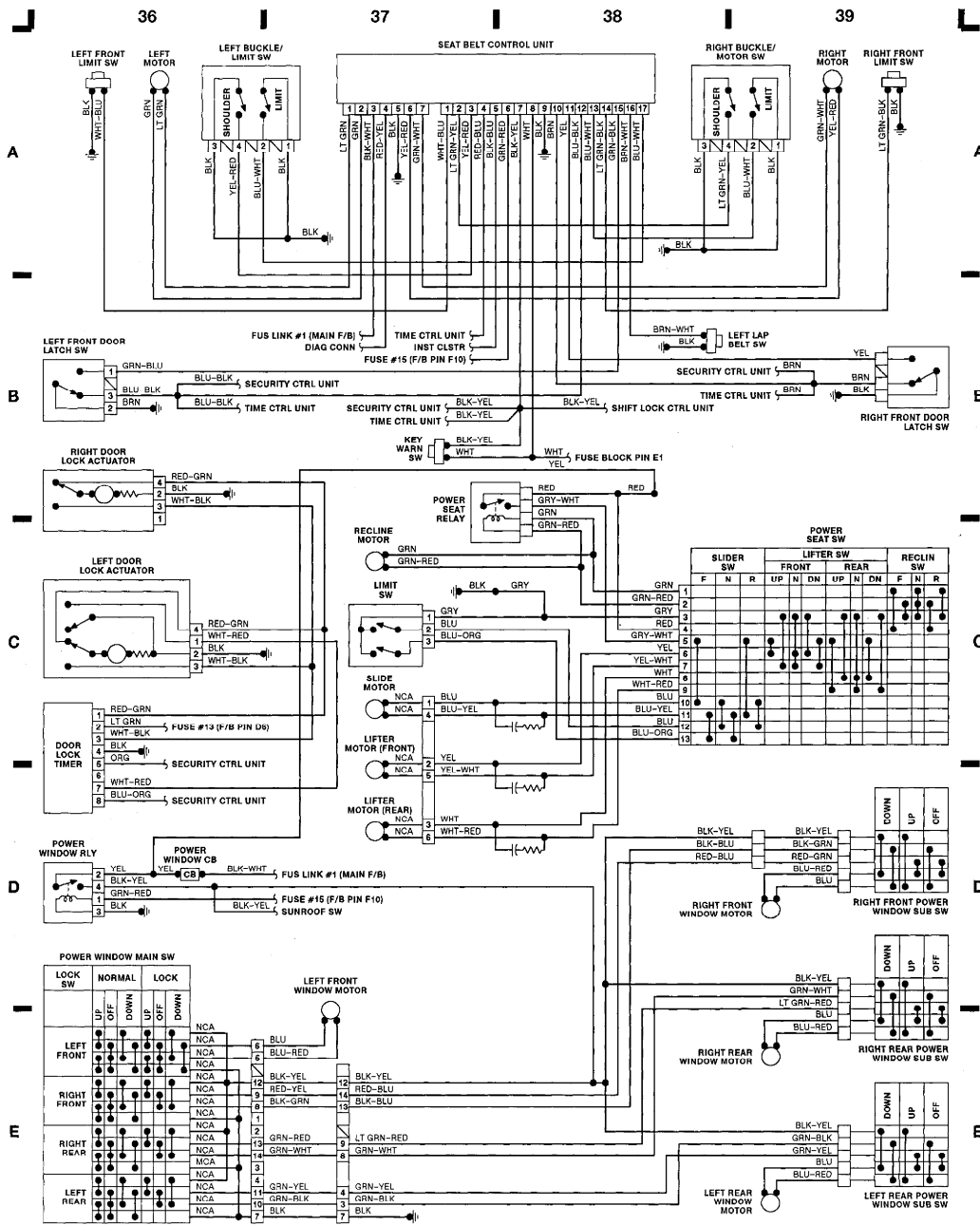


Fig. 10: Power Window/Door Lock Sw, Seat Belt Control (Grid 36-39)

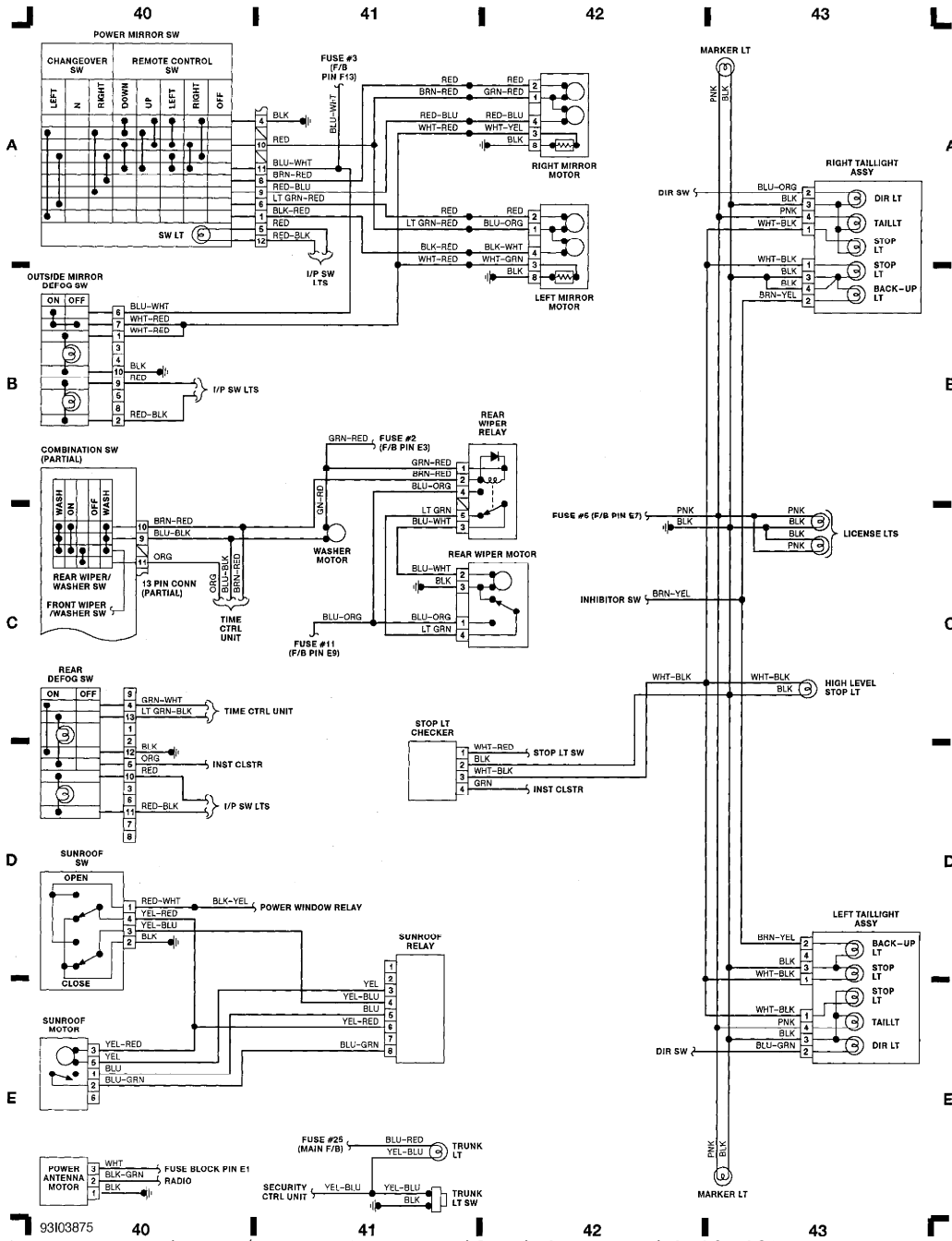


Fig. 11: Power Mirror/Sunroof Sw, Tail Lights (Grid 40-43)